

## TEST GAUGE

- Adjustable Micrometer Knife-Edge Pointer with Mirror Dial
- Stainless Steel Movement
- Dial Size: 4½"
- Ranges to 10,000 psi

The Marsh Test Gauge is designed with a black painted steel housing and the choice of copper alloy or 316 stainless steel tube and socket to meet the demanding service needs of various test gauge applications. Accuracy is  $\pm 0.5\%$  of full span. A highly polished integral mirror is positioned between the two graduation arcs on the dial face. The knife-edge pointer is reflective so that, when the pointer and its reflection are in alignment, parallax is virtually eliminated and a true dial reading is assured.

Typical applications include test stands, aviation ground support, petroleum, chemical, utilities, industrial vessels and panel builders.

### STANDARD RANGES & PART NUMBERS

#### SPECIFICATIONS

##### ACCURACY

ASME Grade 2A –  $\pm 0.5\%$  of range across full scale

##### CASE SIZE

4½" diameter

##### CASE MATERIAL

Steel, Black Painted

##### CASE STYLE

F – Front Flanged with U-clamp and hinged ring (LBM)

P – Plain Case Lower Mount (LM)

##### TUBE & SOCKET

Copper alloy or 316 Stainless Steel

##### MOVEMENT

Stainless Steel

##### CONNECTION

¼ or ½ NPT

##### RANGES

0 to 30" Hg VAC; Compound 30" Hg to 60 psi; 15 to 10,000 psi

##### DIAL STANDARD

single scale psi

##### DIAL COLOR

Black markings on white with mirror dial to avoid parallax

##### POINTER

Aluminum, black painted, micro-adjustable, knife-edge

##### WINDOW

Instrument Glass

##### PRESSURE RELIEF

Blowout plug

##### WEIGHT

3.0 lb.

TYPE	TEST GAUGES							
	4½"				4½"			
Size	Copper Alloy				Stainless Steel			
Internals	Copper Alloy				Stainless Steel			
Case Material	Steel	Steel	Steel	Steel	Steel	Steel	Steel	
Mounting	LM	LM	LBM	LM	LM	LBM	LBM	
Case Style	P	P	F	P	P	F	F	
Connection	¼ NPT	½ NPT	¾ NPT	¼ NPT	½ NPT	¾ NPT	¾ NPT	
Scale Standard	psi				psi			
0 to 30" Hg VAC	D0205	D0605	D1205	D5205	D5605	D6105	D6405	
30" Hg VAC to 15 psi	D0210	D0610	D1210	D5210	D5610	D6110	D6410	
30" Hg VAC to 30 psi	D0212	D0612	D1212	D5212	D5612	D6112	D6412	
30" Hg VAC to 60 psi	D0214	D0614	D1214	D5214	D5614	D6114	D6414	
0 to 15 psi	D0240	D0640	D1240	D5240	D5640	D6140	D6440	
0 to 30 psi	D0242	D0642	D1242	D5242	D5642	D6142	D6442	
0 to 60 psi	D0246	D0646	D1246	D5246	D5646	D6146	D6446	
0 to 100 psi	D0248	D0648	D1248	D5248	D5648	D6148	D6448	
0 to 160 psi	D0252	D0652	D1252	D5252	D5652	D6152	D6452	
0 to 200 psi	D0254	D0654	D1254	D5254	D5654	D6154	D6454	
0 to 300 psi	D0258	D0658	D1258	D5258	D5658	D6158	D6458	
0 to 400 psi	D0260	D0660	D1260	D5260	D5660	D6160	D6460	
0 to 600 psi	D0264	D0664	D1264	D5264	D5664	D6164	D6464	
0 to 1,000 psi				D5272	D5672	D6172	D6472	
0 to 1,500 psi				D5274	D5674	D6174	D6474	
0 to 2,000 psi				D5276	D5676	D6176	D6476	
0 to 3,000 psi				D5278	D5678	D6178	D6478	
0 to 5,000 psi				D5282	D5682	D6182	D6482	
0 to 10,000 psi				D5290	D5690	D6190	D6490	



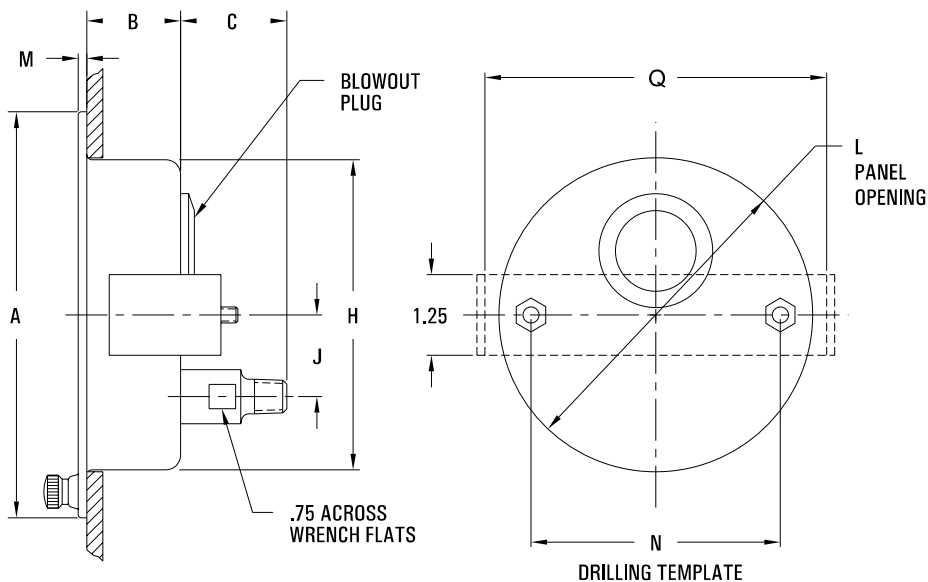
## TEST GAUGE OPTIONS

OPTION	TYPE	SUFFIX	AVAILABLE ON MODELS
Restrictors	Add restrictor	H	All ranges
Catalog Dials	bar only	L1	See Marsh Price List for minimum
	kg/cm <sup>2</sup> only	L2	
	kPa only	L3	
	MPa only	L4	
	psi & bar	W1	
	psi & kg/cm <sup>2</sup>	W2	
	psi & kPa	W3	
Custom Dials	Logo or Custom Face	M	All models - consult factory
	Window		
Window	Acrylic (AY)	F2	4½"
	Safety Glass (SG)	F3	4½"
Cases	4½" Polypropylene (TR)	J1	Consult Factory
	4½" Aluminum Back Flange	J2	
	4½" Aluminum Front Flange	J3	



## CASE PATTERNS & DIMENSIONS

ALL DIMENSIONS ARE NOMINAL



Size	A	B	C	H	J	L	M	N	Q
4½"	6.31	1.39	2.31	4.81	1.27	4.88	.11	3.88	5.31

Dial Divisions	Test Gauge 0.50% of Span		
Ranges	Figure Intervals	Minor Gradua- tions	
Vacuum	2	0.1	
<b>COMPOUND</b>			
30" Hg VAC to 15 psi	5	3	0.2 0.1
30" Hg VAC to 30 psi	10	5	0.5 0.1
30" Hg VAC to 60 psi	10	5	1 0.2
30" Hg VAC to 150 psi	30	10	2 0.5
30" Hg VAC to 300 psi	30	30	5 1
<b>PRESSURE</b>			
0 to 15 psi	1	0.05	
0 to 30 psi	2	0.1	
0 to 60 psi	5	0.2	
0 to 100 psi	10	0.5	
0 to 160 psi	10	0.5	
0 to 200 psi	20	1	
0 to 300 psi	50	1	
0 to 400 psi	50	2	
0 to 600 psi	50	2	
<b>HIGH PRESSURE</b>			
0 to 1,000 psi	100	5	
0 to 1,500 psi	100	5	
0 to 2,000 psi	200	10	
0 to 3,000 psi	500	10	
0 to 4,000 psi	500	20	
0 to 5,000 psi	500	20	
0 to 10,000 psi	1,000	50	